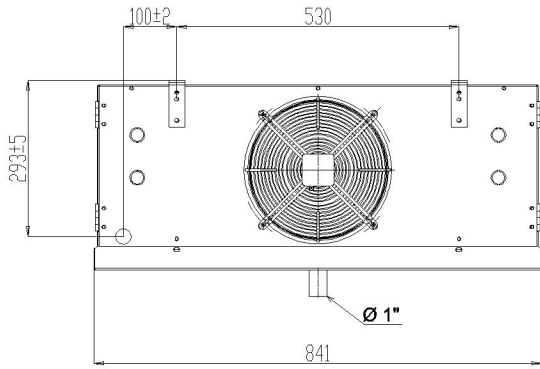
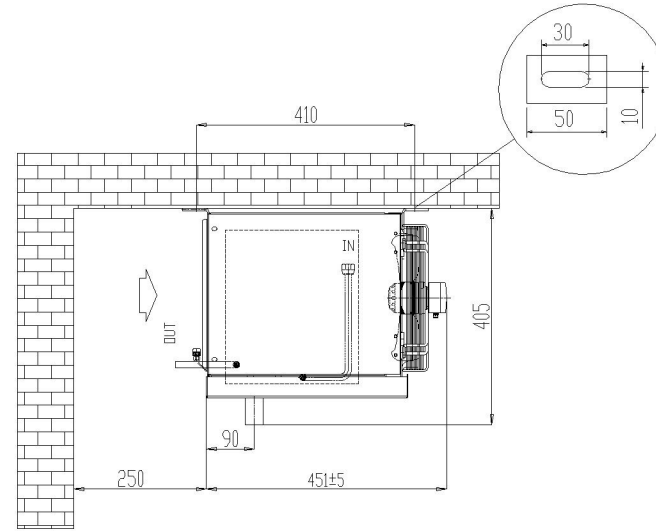
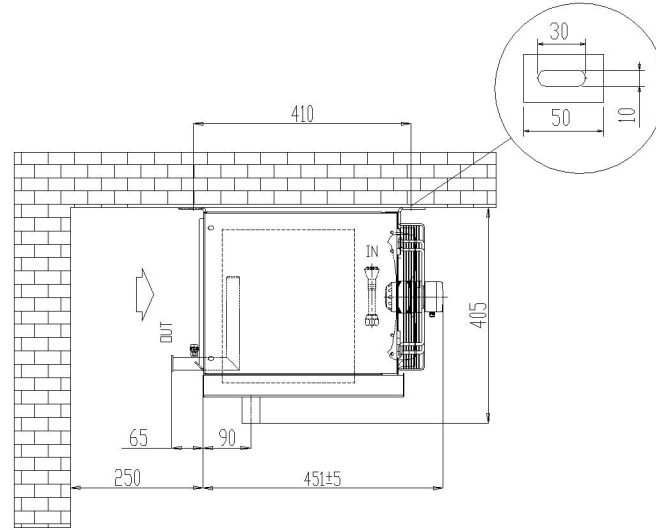
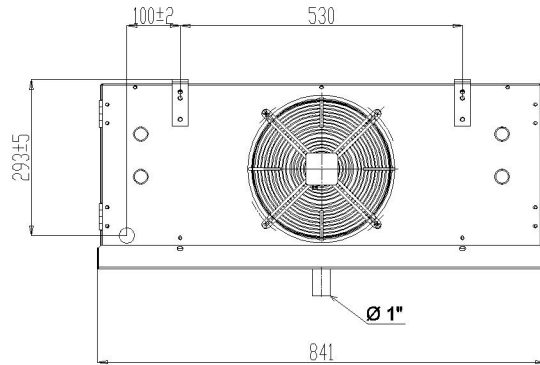


B



A



Revision	Date	Modifications				Signature
<ul style="list-style-type: none"> Referimenti Posizione Concentricità Planarità 	<ul style="list-style-type: none"> Perpendicolarità Angolarità runout (T.I.R.) Parallelismo 	Material Surface treatment Heat treatment	Origin Raw material code Raw material qty	aaa CODE	UM Current revision Sheet N.	
	Scale/Format 1:10/A3	Date 26-02-2013 Date	Drawn by Approved by	CC 251	1	
<small>This document and its contents are our exclusive property and must not be copied, reproduced, transmitted or communicated to any other party or used for purposes not expressly permitted by Alfalaval S.p.A. Only to the extent expressly agreed by Alfalaval S.p.A. this document may constitute a contractual obligation on our part.</small>		DESCRIPTION Optigo CC_250_DX - CO2 Specification Reference	 www.alfalaval.com			